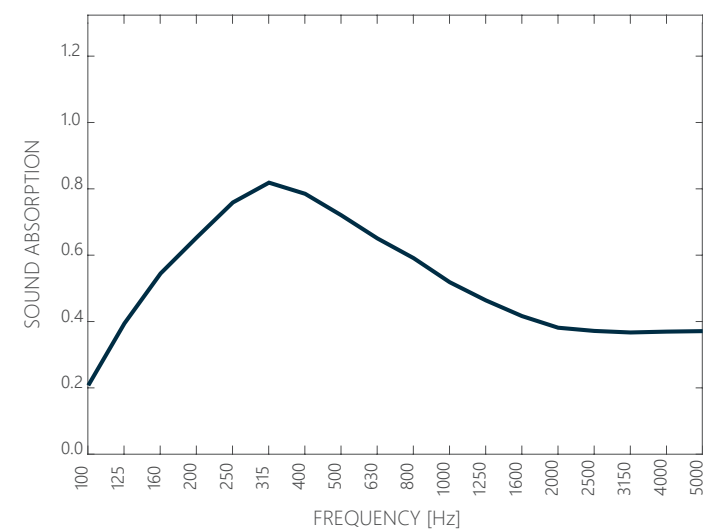
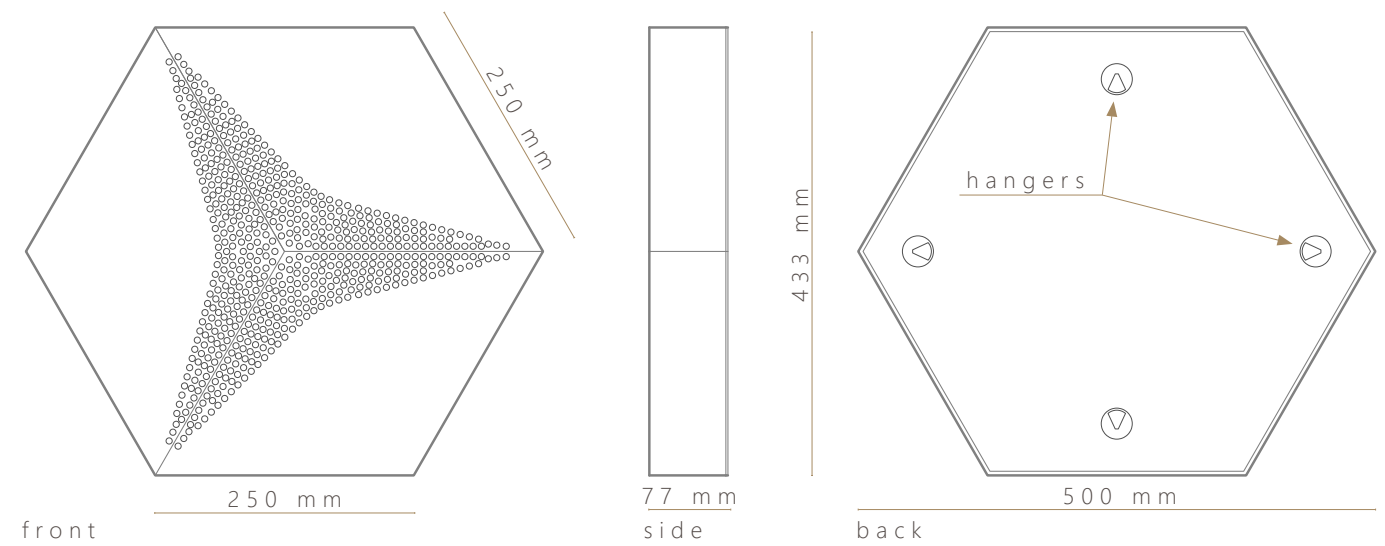
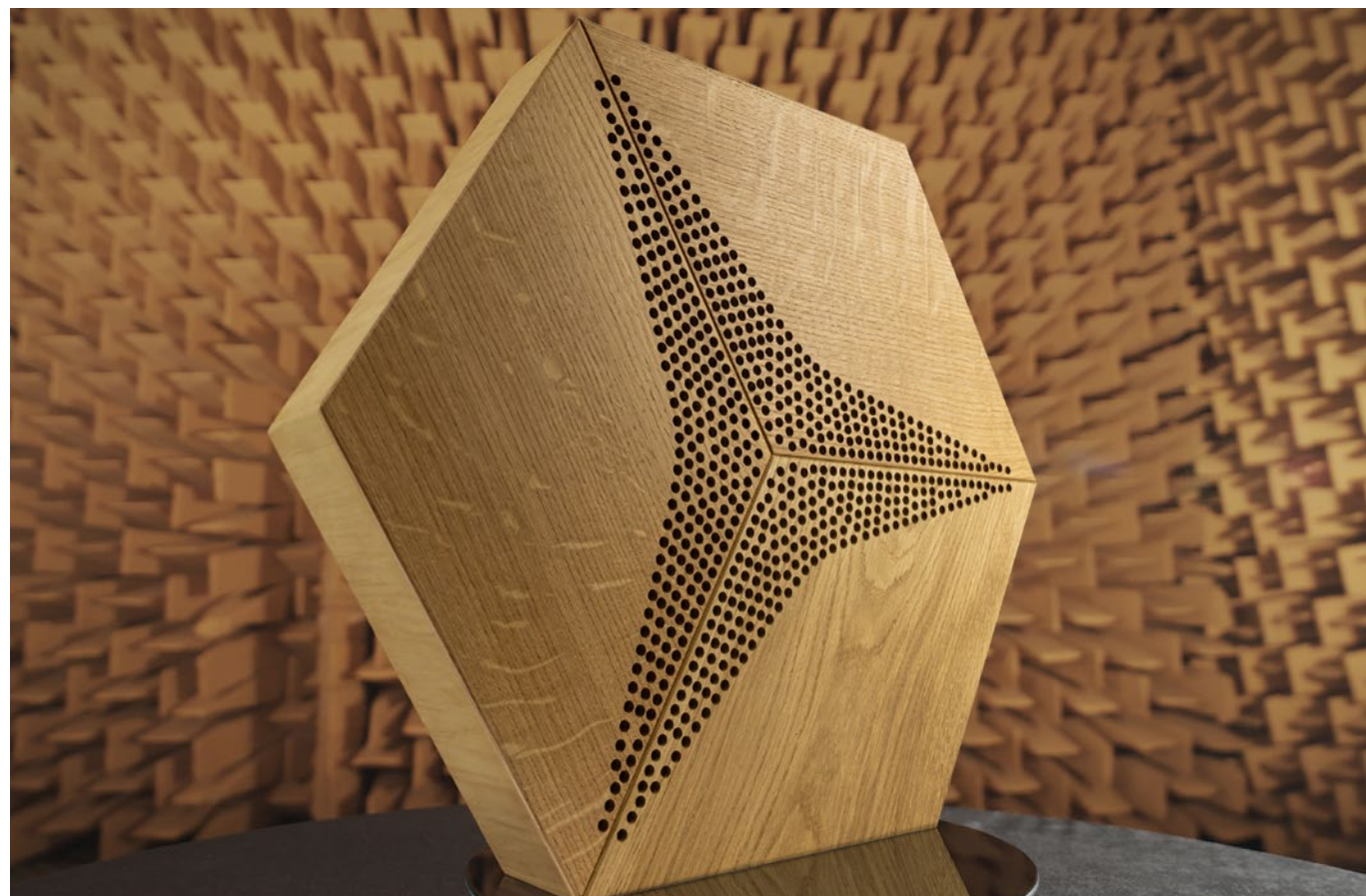


### PRODUCT FEATURES

- suitable for office spaces, conference rooms, hotel lobbies and other public-access spaces
- perfect sound absorption in the speech bandwidth between 200-800 Hz
- can be mixed with other HEXAGO 3D or FLAT versions as well as FORM AT WOOD decorative panels



### ACOUSTIC FEATURES:

- function: absorption
- absorption class: D (acc to ISO 354:2003)
- absorption range: 200-1000 Hz
- $\alpha_w = 0,45$  (acc to ISO 11654:1997)
- NRC = 0,60; SAA = 0,58 (acc to ASTM C423-17)

### GENERAL FEATURES:

- materials:  
top - engineered perforated FLAT FAW wall panels  
box - veneered wood and wood-based materials  
core - absorbing wool and acoustic membrane
- wood species: oak
- dimensions: side length 500mm, height 433mm, thickness 77mm
- mounting methods: freely hanging on screws
- application: wall coverings
- weight: 3,8kg/pcs; 24,3 kg/m<sup>2</sup>

