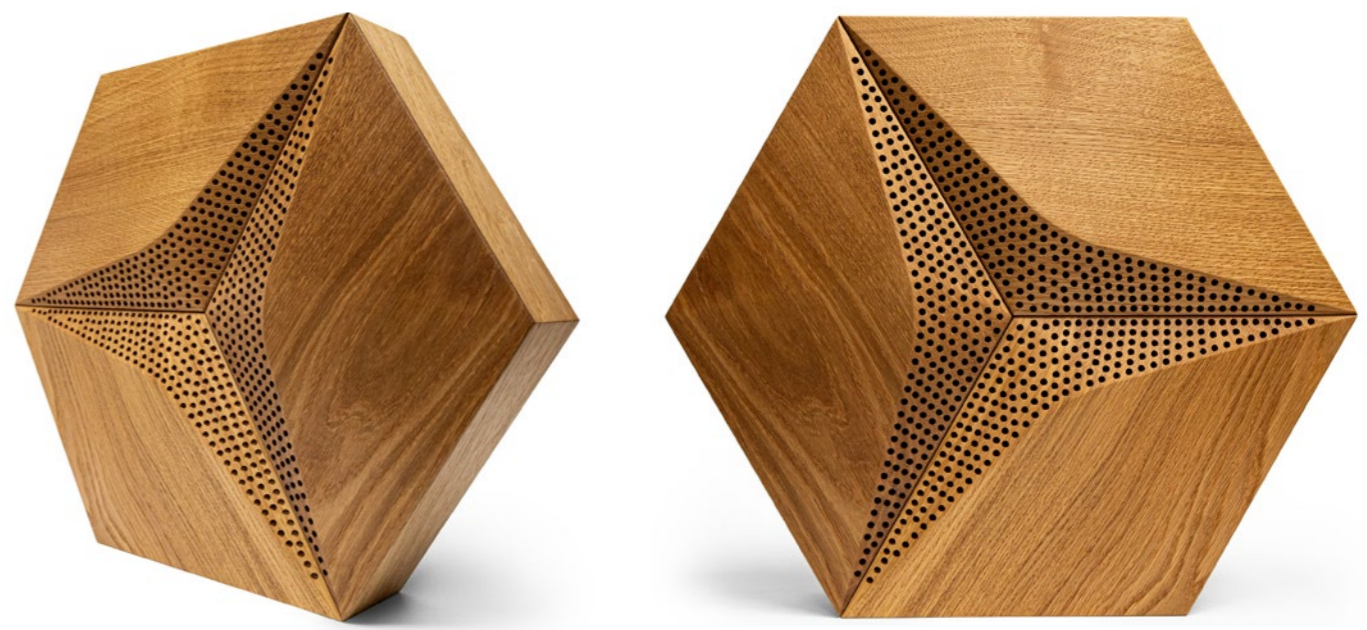


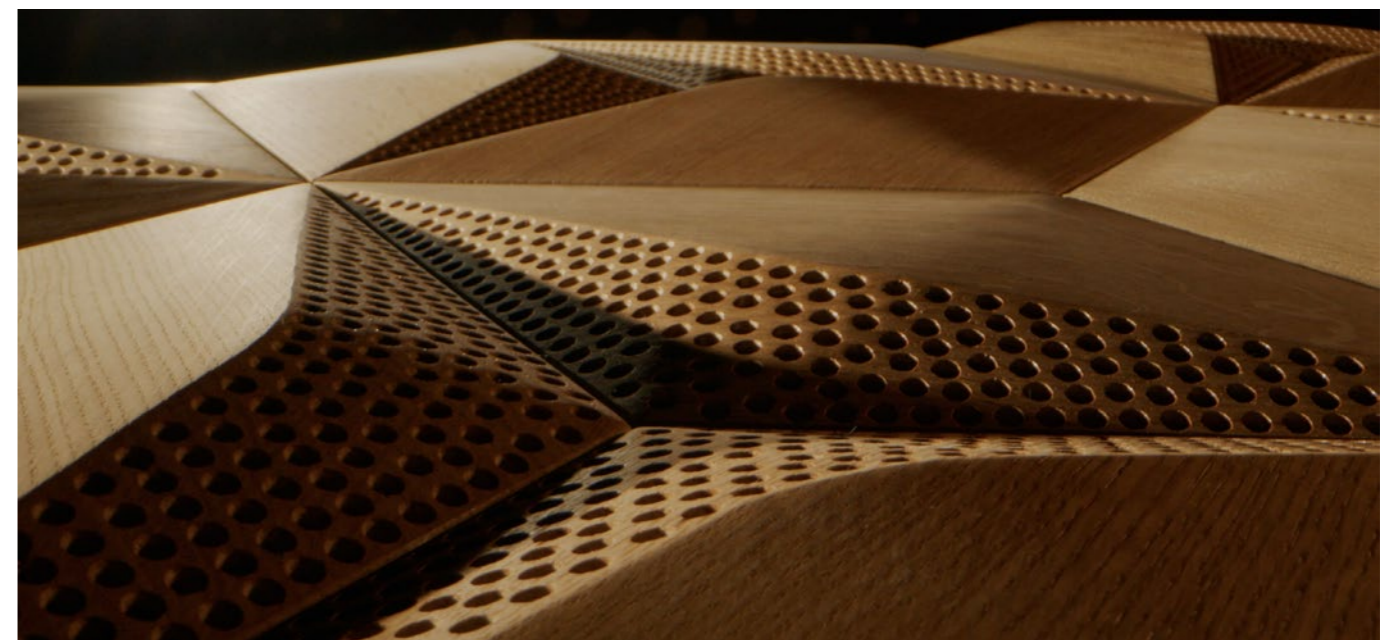
ACOUSTIC CLASS
D HEXAGO
CM - D

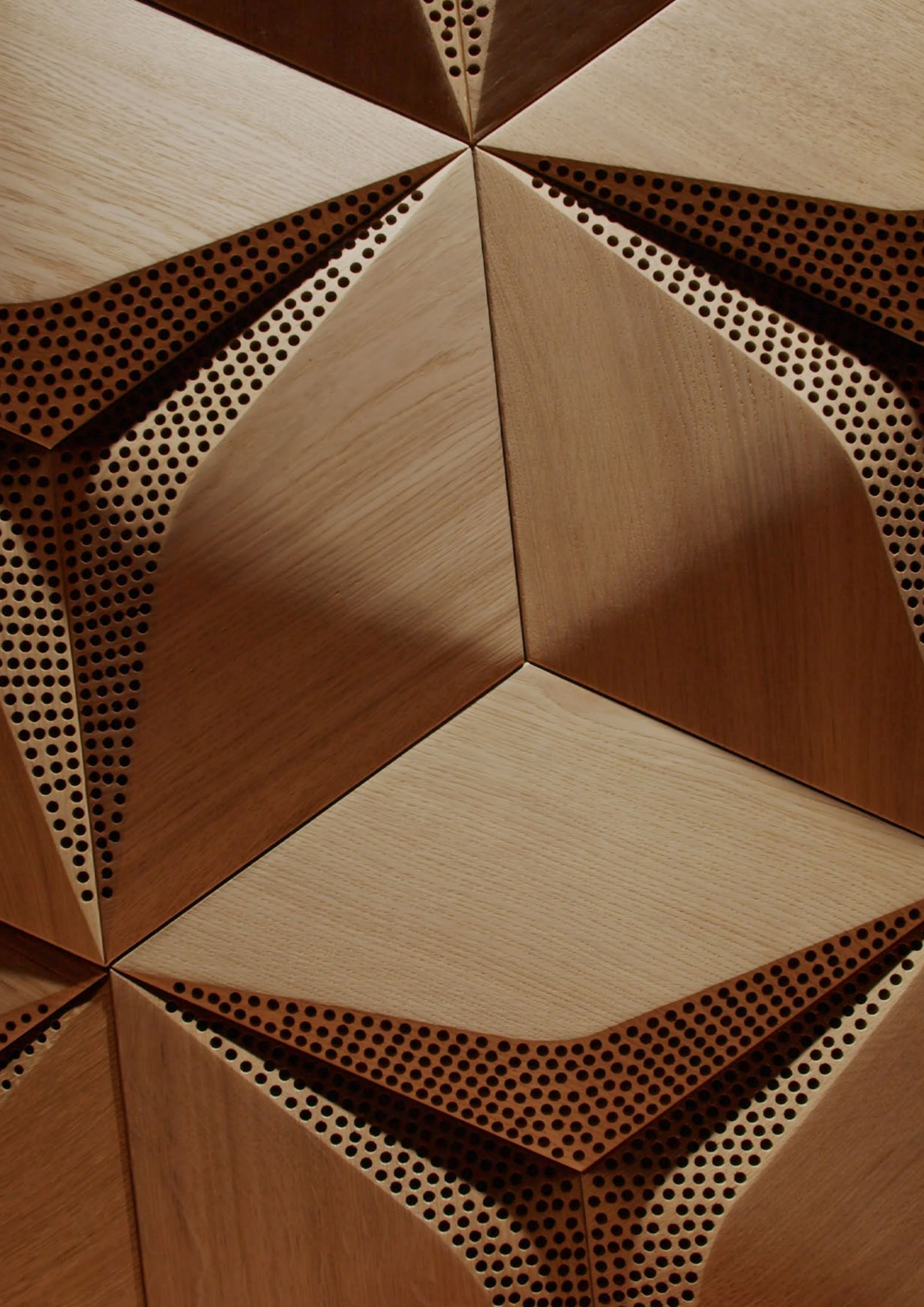
FORM[®]
AT WOOD
designed to
A B S O R B



PRODUCT FEATURES

- sound absorption class D (EN ISO 11654)
- suitable for all rooms where acoustics is essential - recording studios, private listening rooms, conference and auditoria rooms, office spaces, hotel lobbies and other public-access spaces
- perfect sound absorption in the speech bandwidth - over 60% between 200-800 Hz
- can be mixed with HEXAGO CM-A as well as the FLAT version and other FORM AT WOOD decorative panels
- quick and easy DIY installation thanks to the integrated hangers and mounting kit

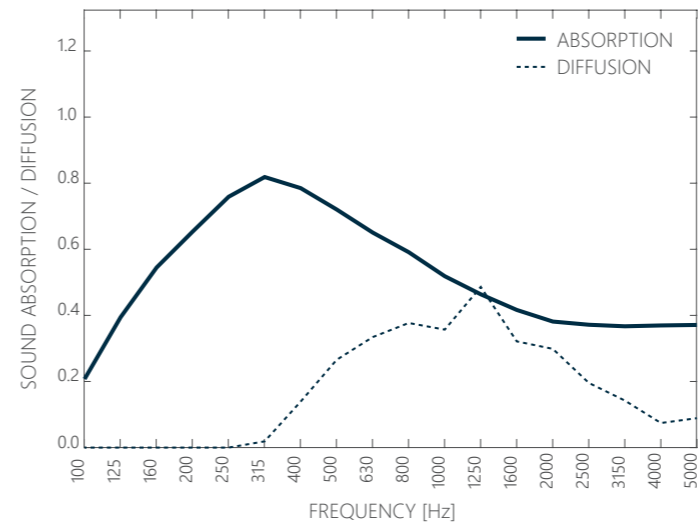
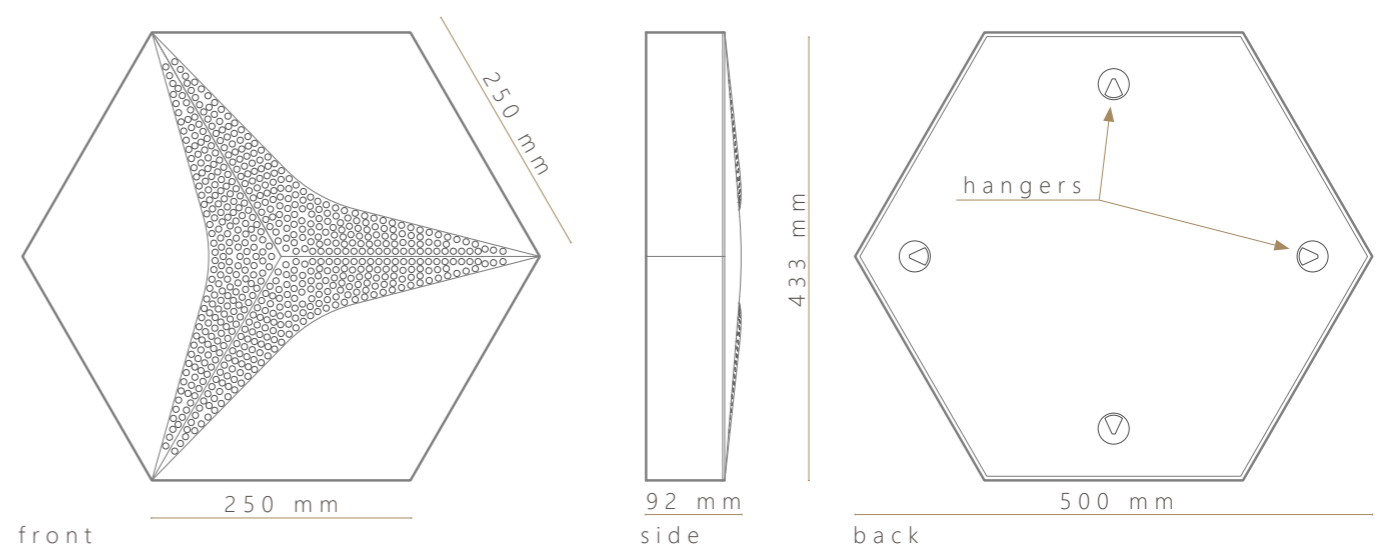




ACOUSTIC CLASS **D** HEXAGON
CM-D

FORM
AT WOOD

designed to
A B S O R B



ACOUSTIC FEATURES:

- functions: absorption and diffusion
- absorption class: D (acc to ISO 354:2003)
- absorption range: 200-1000 Hz
- $\alpha_w = 0,45$ (acc to ISO 11654:1997)
- NRC= 0,60; SAA= 0,58 (acc to ASTM C423-17)
- diffusion range: 400-3150 Hz (acc to ISO 17497-2)

GENERAL FEATURES:

- materials:
top - engineered perforated 3D FAW wall panels
box - veneered wood and wood-based materials
core - absorbing wool and acoustic membrane
- wood species: oak
- dimensions: side length 500mm, height 433mm, thickness 92mm
- mounting methods: freely hanging on screws
- application: wall coverings
- weight: 4,4kg/pcs; 28,2 kg/m²

