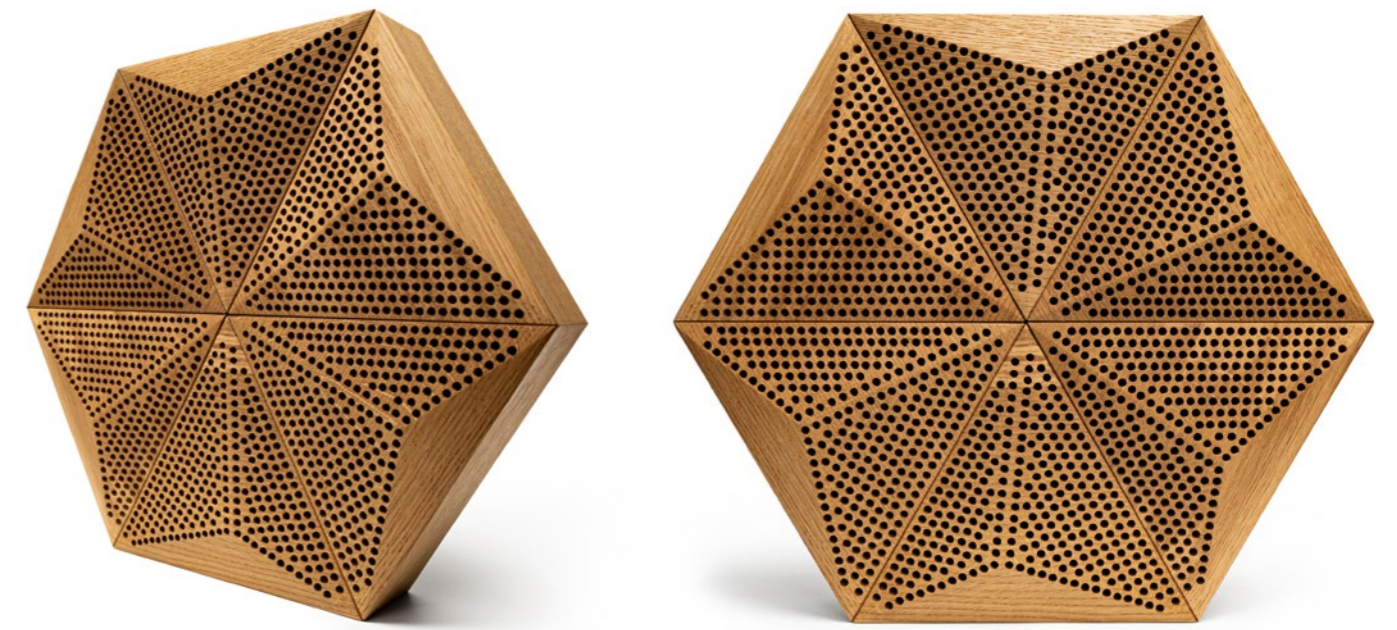


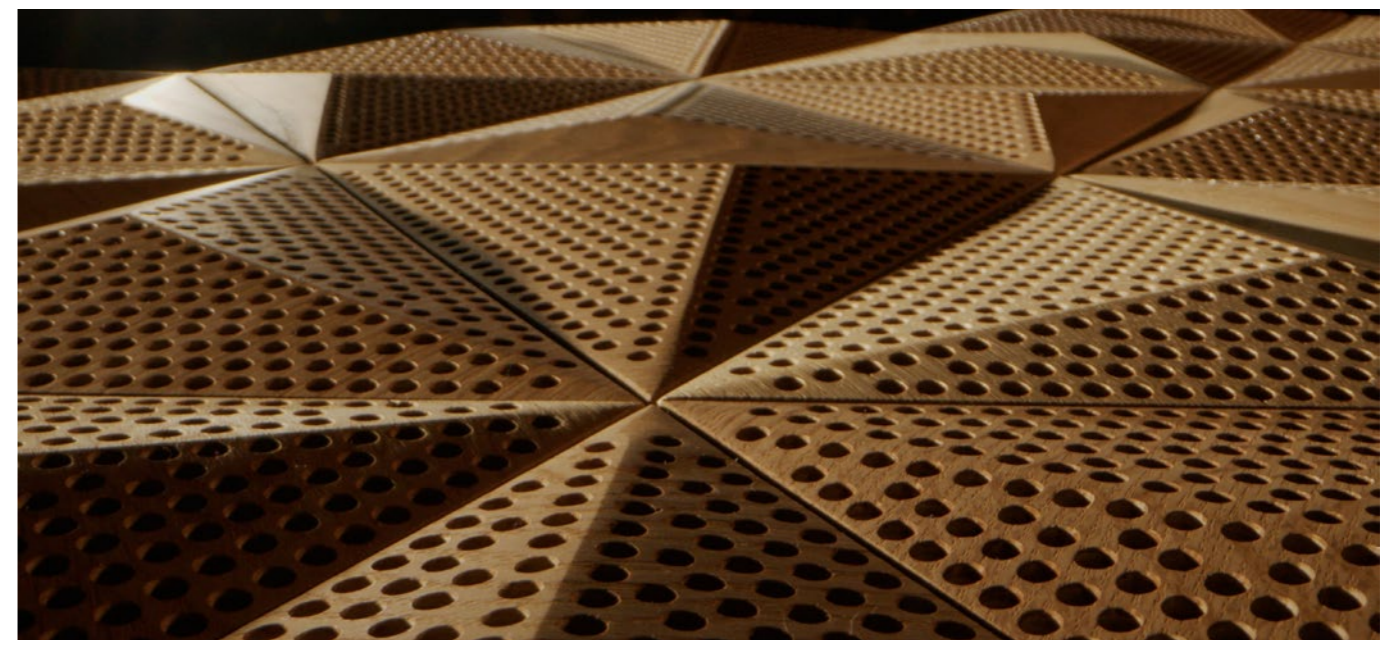
ACOUSTIC CLASS
A HEXAGO
P - A

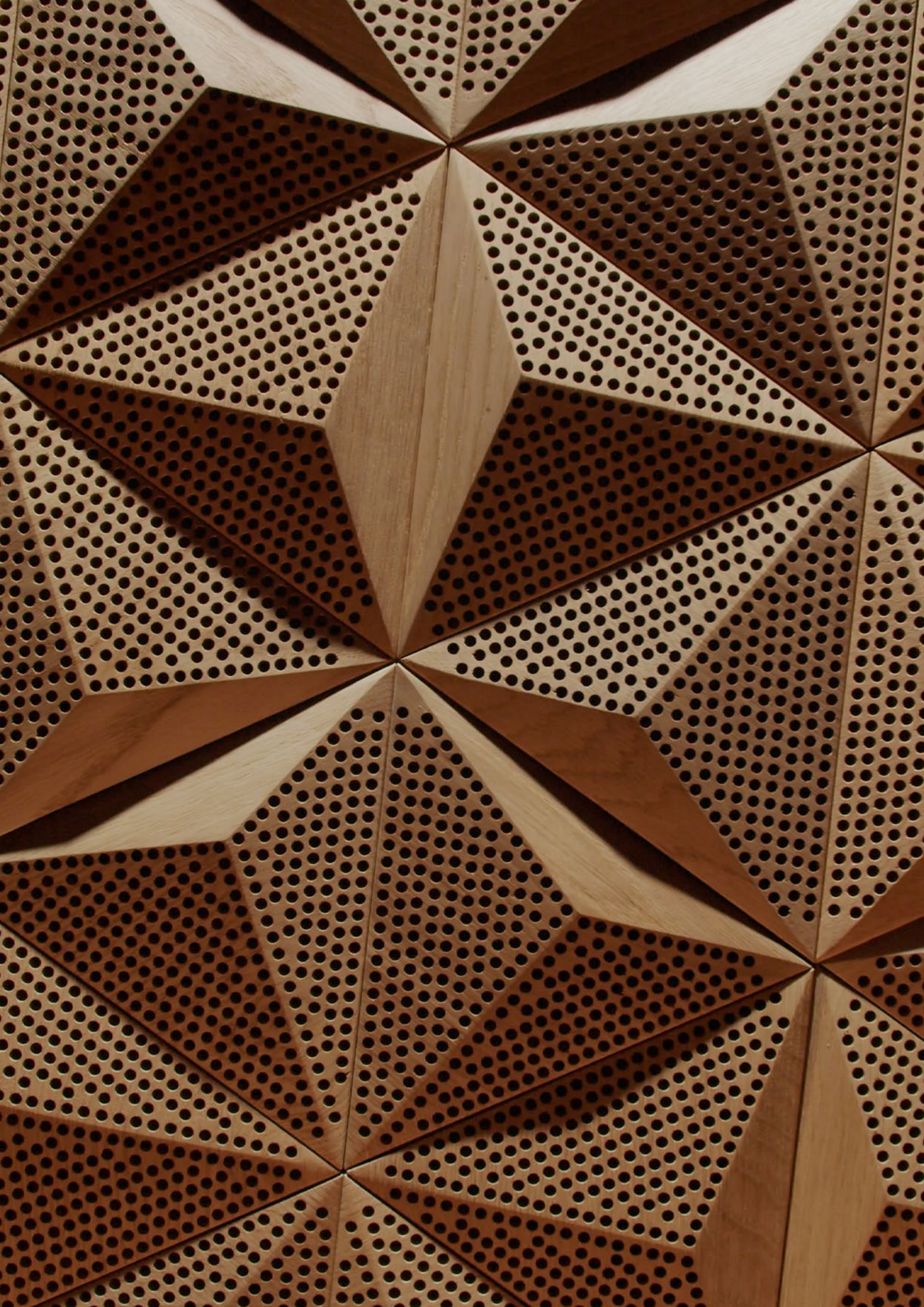
FORM[®]
AT WOOD
designed to
A B S O R B



PRODUCT FEATURES

- highest sound absorption class A (EN ISO 11654)
- broadband reverberation reduction and speech transmission enhancement in the full frequency range
- suitable for all rooms where acoustics is essential – recording studios, private listening rooms, conference and auditoria rooms, office spaces, hotel lobbies and other public-access spaces
- can be mixed with HEXAGO P-A FLAT version and other FORM AT WOOD decorative panels
- quick and easy DIY installation thanks to the integrated hangers and mounting kit

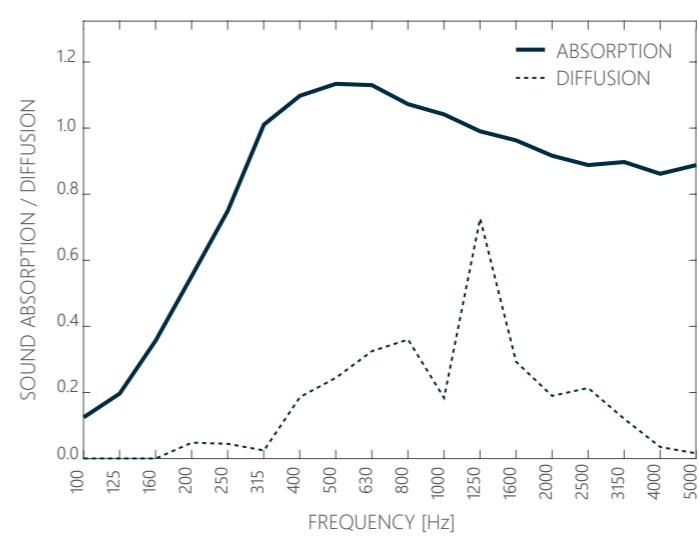
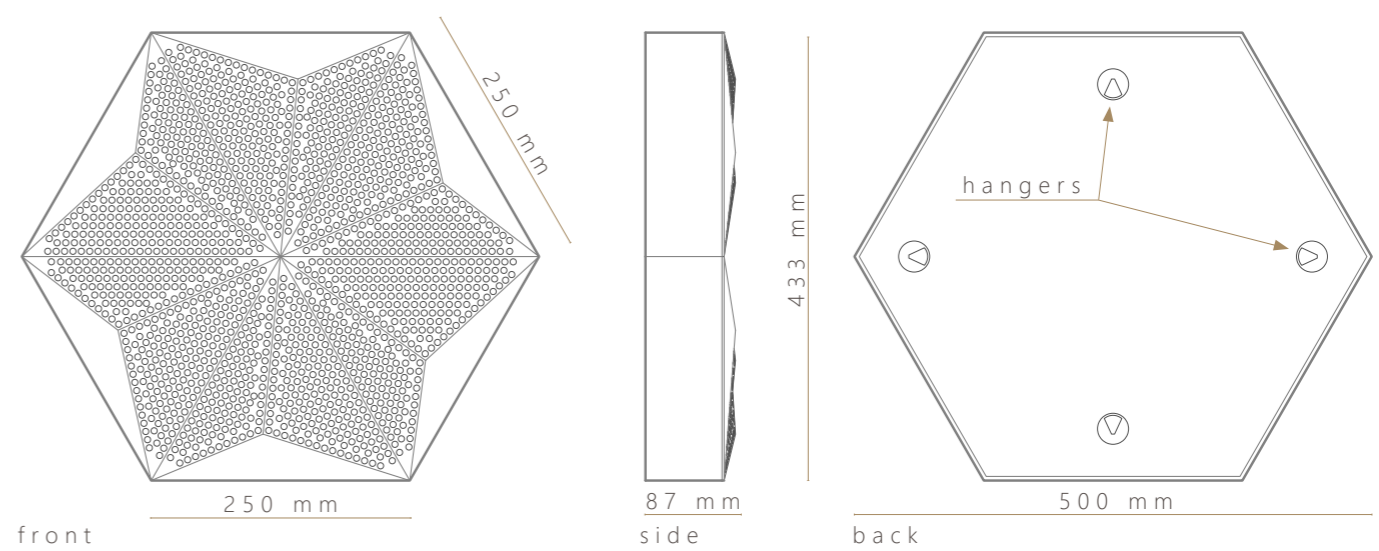




ACOUSTIC CLASS
A HEXAGO
 P - A

FORM[®]
 AT WOOD

designed to
 A B S O R B



- ACOUSTIC FEATURES:**
- functions: absorption and diffusion
 - absorption class: A (acc to ISO 354:2003)
 - absorption range: 250-5000 Hz
 - $\alpha_w = 0,95$ (acc to ISO 11654:1997)
 - NRC = 0,95; SAA = 0,95 (acc to ASTM C423-17)
 - diffusion range: 400-3150 Hz (acc to ISO 17497-2)

- GENERAL FEATURES:**
- materials:
 top - engineered perforated 3D FAW wall panels
 box - veneered wood and wood-based materials
 core - absorbing wool and acoustic membrane
 - wood species: oak
 - dimensions: side length 500mm, height 433mm, thickness 87mm
 - mounting methods: freely hanging on screws
 - application: wall coverings
 - weight: 3,9kg/pcs; 25,0 kg/m²

